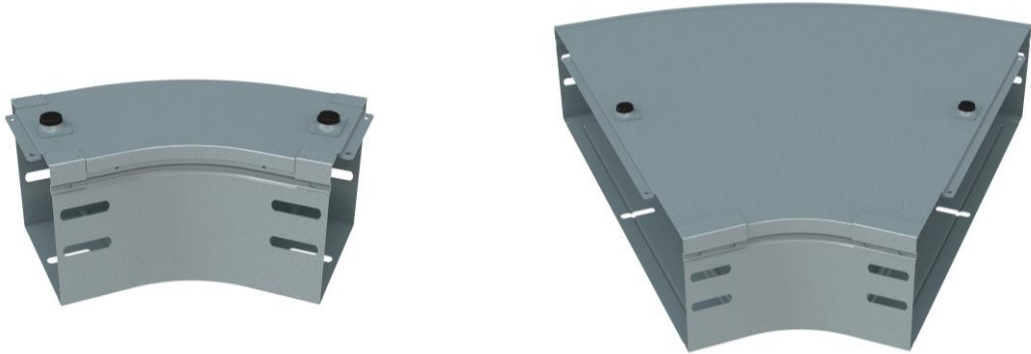


P31 - FLAT BEND 45° H100 + COVER

Reference(s): 4803../77/78/79/80/81/82/480369
4823../77/78/79/80/81/82/83
4843../77/78/79/80/81/82



1. USE

Flat bend 45° in H100 with blind bottom and cover

2. RANGE

■ 2.1 Flat bend 45° H100 + cover blind PG

Description	Code	Width		Weight		Thickness		Coating	Section	
		(mm)	(inch)	(Kg)	(lb)	(mm)	(inch)		(mm²)	(inch²)
P31- FLAT BEND 45D 100X100 PG	480377	100	3,94	0,73	1,60	0,7	0,03	PG	10231	15,86
P31- FLAT BEND 45D 100X150 PG	480378	150	5,91	0,92	2,02	0,7	0,03	PG	15296	23,71
P31- FLAT BEND 45D 100X200 PG	480379	200	7,87	1,13	2,49	0,7	0,03	PG	20361	31,56
P31- FLAT BEND 45D 100X300 PG	480380	300	11,81	1,61	3,56	0,7	0,03	PG	30491	47,26
P31- FLAT BEND 45D 100X400 PG	480381	400	15,75	2,24	4,93	0,7	0,03	PG	40621	62,96
P31- FLAT BEND 45D 100X500 PG	480382	500	19,69	2,89	6,38	0,7	0,03	PG	50751	78,66
P31- FLAT BEND 45D 100X600 PG	480369	600	23,62	3,64	8,01	0,7	0,03	PG	60881	94,37

■ 2.2 Flat bend 45° H100 + cover blind HDG

Description	Code	Width		Weight		Thickness		Coating	Section	
		(mm)	(inch)	(Kg)	(lb)	(mm)	(inch)		(mm²)	(inch²)
P31- FLAT BEND 45D 100X100 HDG	482377	100	3,94	0,80	1,77	0,7	0,03	HDG	10231	15,86
P31- FLAT BEND 45D 100X150 HDG	482378	150	5,91	1,01	2,22	0,7	0,03	HDG	15296	23,71
P31- FLAT BEND 45D 100X200 HDG	482379	200	7,87	1,24	2,74	0,7	0,03	HDG	20361	31,56
P31- FLAT BEND 45D 100X300 HDG	482380	300	11,81	1,78	3,91	0,7	0,03	HDG	30491	47,26
P31- FLAT BEND 45D 100X400 HDG	482381	400	15,75	2,46	5,42	0,7	0,03	HDG	40621	62,96
P31- FLAT BEND 45D 100X500 HDG	482382	500	19,69	3,18	7,01	0,7	0,03	HDG	50751	78,66
P31- FLAT BEND 45D 100X600 HDG	482383	600	23,62	4,00	8,82	0,7	0,03	HDG	60881	94,37

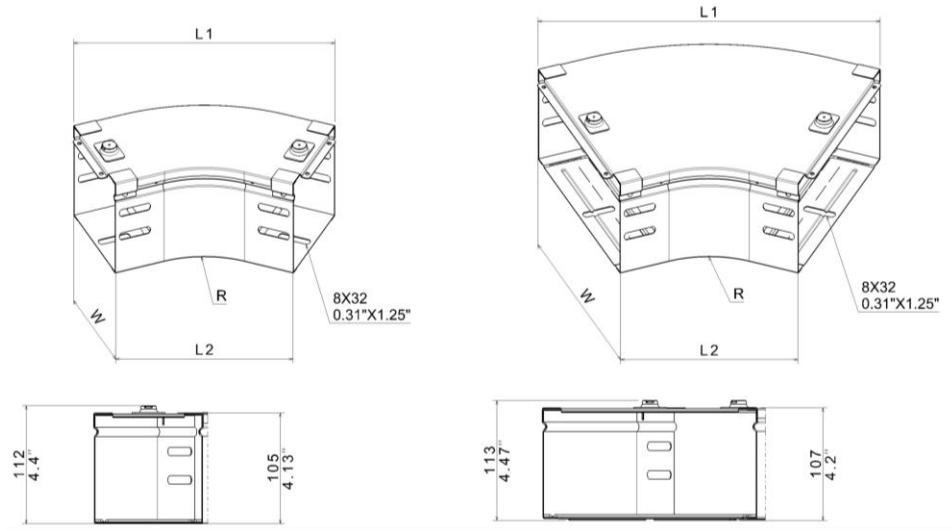
■ 2.3 Flat bend 45° H100 + cover blind BLUE

Description	Code	Width		Weight		Thickness		Coating	Section	
		(mm)	(inch)	(Kg)	(lb)	(mm)	(inch)		(mm²)	(inch²)
P31- FLAT BEND 45D 100X100 BLUE	484377	100	3,94	0,73	1,60	0,7	0,03	BLUE	10231	15,86
P31- FLAT BEND 45D 100X150 BLUE	484378	150	5,91	0,92	2,02	0,7	0,03	BLUE	15296	23,71
P31- FLAT BEND 45D 100X200 BLUE	484379	200	7,87	1,13	2,49	0,7	0,03	BLUE	20361	31,56
P31- FLAT BEND 45D 100X300 BLUE	484380	300	11,81	1,61	3,56	0,7	0,03	BLUE	30491	47,26
P31- FLAT BEND 45D 100X400 BLUE	484381	400	15,75	2,24	4,93	0,7	0,03	BLUE	40621	62,96
P31- FLAT BEND 45D 100X500 BLUE	484382	500	19,69	2,89	6,38	0,7	0,03	BLUE	50751	78,66

3. DIMENSIONS (mm/inch)

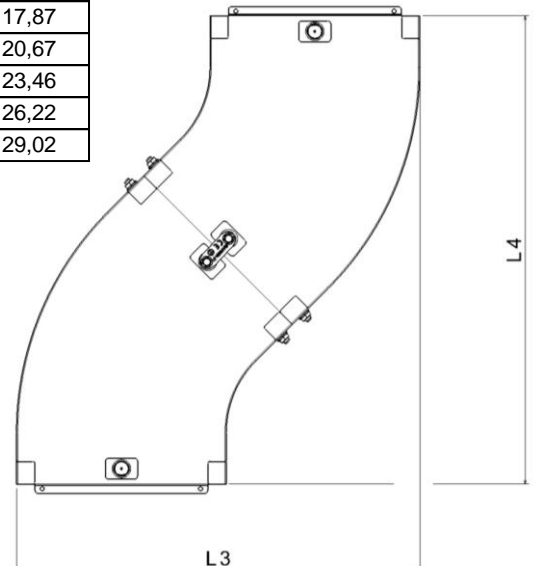
■ 3.1 Fitting dimensions

Description	Width		Radius		L1		L2	
	(mm)	(inch)	(mm)	(inch)	(mm)	(inch)	(mm)	(inch)
P31-FLAT BEND 45D 100X100	104	4,09	100	3,94	247	9,72	168	6,61
P31-FLAT BEND 45D 100X150	154	6,06	100	3,94	286	11,26	168	6,61
P31-FLAT BEND 45D 100X200	204	8,03	100	3,94	324	12,76	168	6,61
P31-FLAT BEND 45D 100X300	304	11,97	100	3,94	400	15,75	168	6,61
P31-FLAT BEND 45D 100X400	404	15,91	100	3,94	477	18,78	168	6,61
P31-FLAT BEND 45D 100X500	504	19,84	100	3,94	553	21,77	168	6,61
P31-FLAT BEND 45D 100X600	604	23,78	100	3,94	626	24,65	168	6,61



■ 3.2 Fitting to fitting dimensions

Description	L3		L4	
	(mm)	(inch)	(mm)	(inch)
P31-FLAT BEND 45D 100X100	236	9,29	384	15,12
P31-FLAT BEND 45D 100X150	324	12,76	419	16,50
P31-FLAT BEND 45D 100X200	392	15,43	454	17,87
P31-FLAT BEND 45D 100X300	521	20,51	525	20,67
P31-FLAT BEND 45D 100X400	651	25,63	596	23,46
P31-FLAT BEND 45D 100X500	780	30,71	666	26,22
P31-FLAT BEND 45D 100X600	910	35,83	737	29,02



4. INSTALLATION

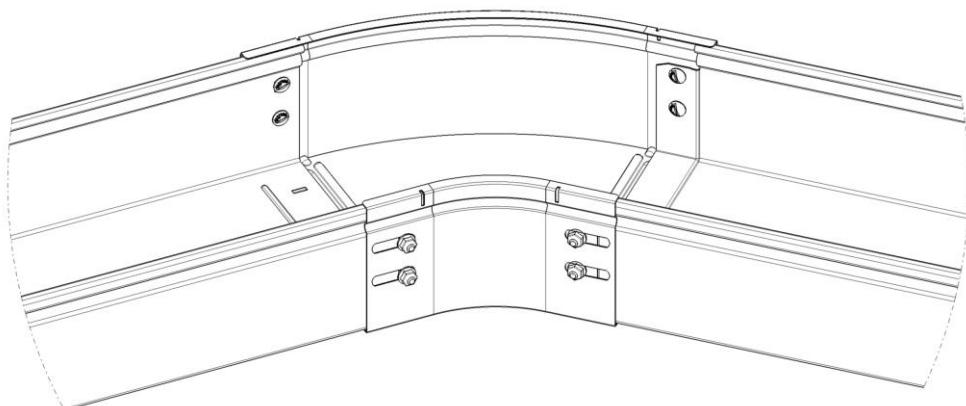
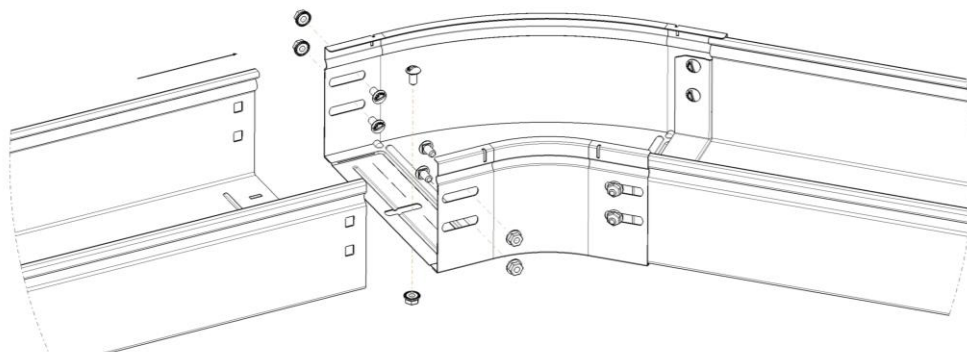
■ 4.1 Screw

Use screws M6x12 tightened at 11Nm

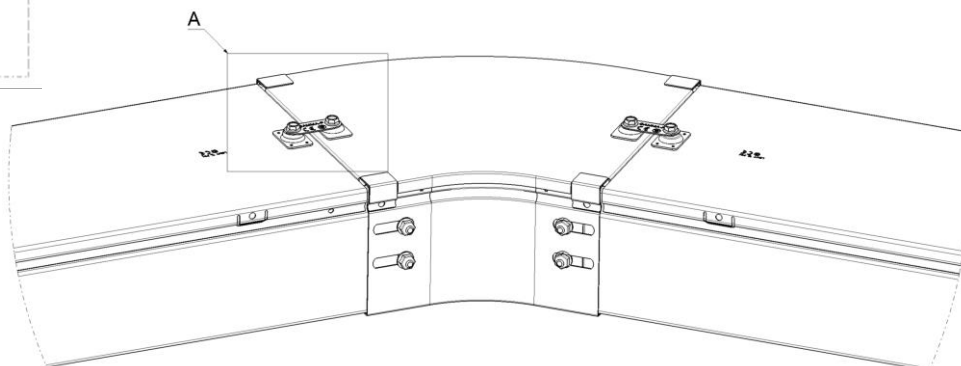
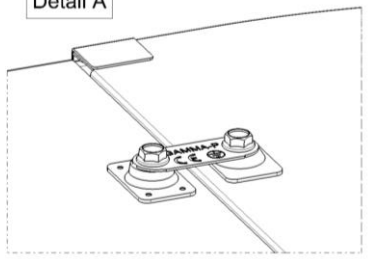
Reference(s): 341895/ 03V1M610Z (PG)
485035 (Zn-Ni)
346895/ 03V1M610L (SS316L)
341708 / 31X99X999 (PG)
346474 / 31X99X99X (SS316L)

■ 4.2 Fitting to cable tray

Flat bend height 100 are assembled using 10 screws M6x12 on the side and on the bottom.
The screws in the middle is optional up to and included width 300mm.

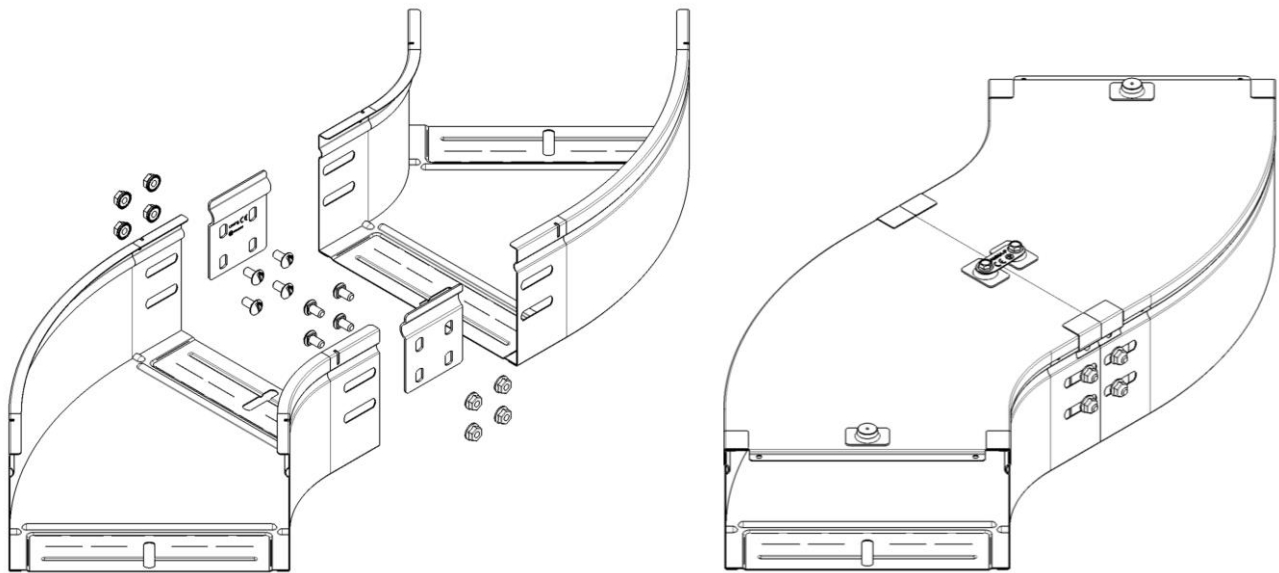


Detail A



■ **5.3 Fitting to fitting**

Slide together the two fittings and add 2pc of EA height 75-100 coupler (X9G71Z,C,L) using 4 screws M6x12 on each coupler.



6. TECHNICAL DATA

■ **6.1 Climatic characteristics**

Storage and operating temperature: - 20° C à + 120° C

■ **6.2 Material characteristics**

Material finish	Material	Standard	Resistance class against corrosion
PG	DX51D + Z200	EN 10346	Classe 3 - CEI 61537
BLUE	DX51D + Z200	EN 10346	Classe 3 - CEI 61537
HDG	DC 01	EN 10130	Classe 6 - CEI 61537
SS304	X5CrNi18-10	EN 10 088-2	Classe 9A - CEI 61537
SS316L	X2CrNiMo17-12-2	EN 10 088-2	Classe 9B - CEI 61537

7. CONFORMITY - CERTIFICATION

Comply with CEI 61537 Cable tray systems

Certification: CE, IMQ