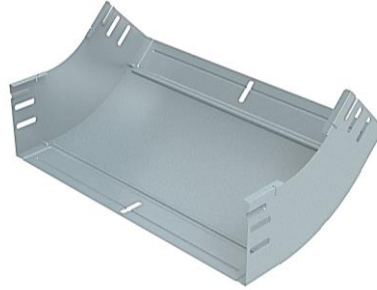


P31 - INSIDE RISER 45° H100

Reference(s): 4810../24/25/26/27/28/29
4830../24/25/26/27/28/29



1. USE

Inside riser 45° in H100 with blind bottom.

2. RANGE BLIND

■ 2.1 Inside riser 45° H100 blind PG

Description	Code	Width		Weight		Thickness		Coating	Section	
		(mm)	(inch)	(Kg)	(lb)	(mm)	(inch)		(mm ²)	(inch ²)
P31-INSIDE RISER 45D 100X100 PG	481024	100	3,94	0,42	0,92	0,7	0,03	PG	10193	15,80
P31-INSIDE RISER 45D 100X150 PG	481025	150	5,91	0,49	1,09	0,7	0,03	PG	15258	23,65
P31-INSIDE RISER 45D 100X200 PG	481026	200	7,87	0,57	1,26	0,7	0,03	PG	20323	31,50
P31-INSIDE RISER 45D 100X300 PG	481027	300	11,81	0,72	1,59	0,7	0,03	PG	30453	47,20
P31-INSIDE RISER 45D 100X400 PG	481028	400	15,75	0,87	1,93	0,7	0,03	PG	40583	62,90
P31-INSIDE RISER 45D 100X500 PG	481029	500	19,69	1,03	2,26	0,7	0,03	PG	50713	78,61

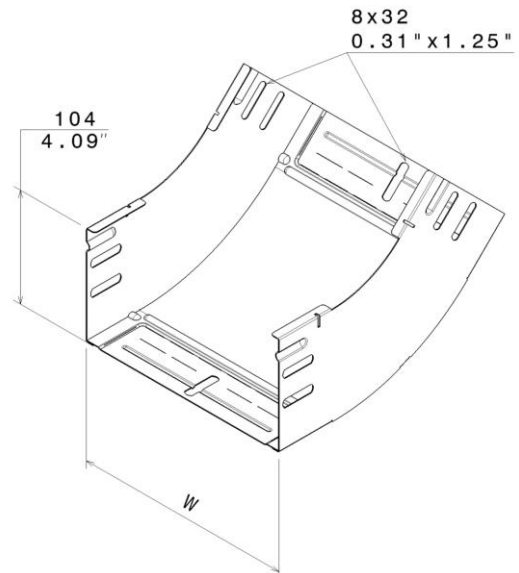
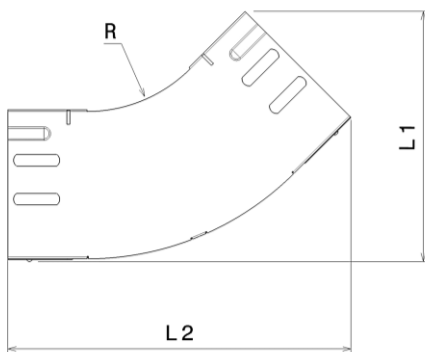
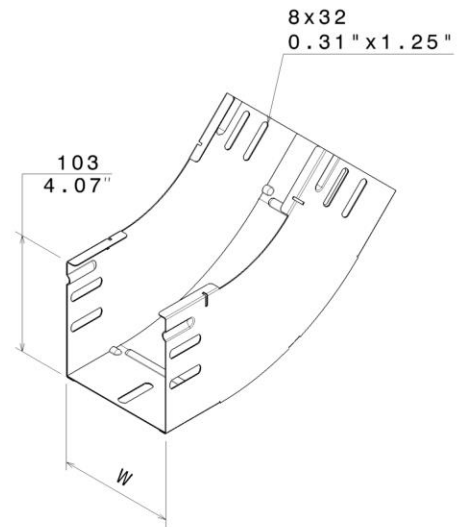
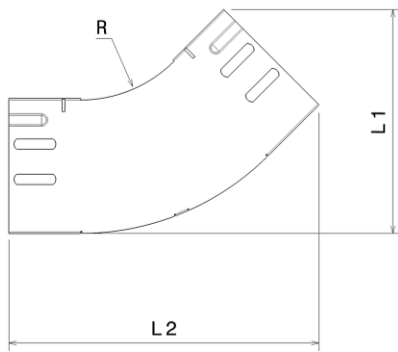
■ 2.2 Inside riser 45° H100 blind HDG

Description	Code	Width		Weight		Thickness		Coating	Section	
		(mm)	(inch)	(Kg)	(lb)	(mm)	(inch)		(mm ²)	(inch ²)
P31-INSIDE RISER 45D 100X100 HDG	483024	100	3,94	0,46	1,02	0,7	0,03	HDG	10193	15,80
P31-INSIDE RISER 45D 100X150 HDG	483025	150	5,91	0,54	1,20	0,7	0,03	HDG	15258	23,65
P31-INSIDE RISER 45D 100X200 HDG	483026	200	7,87	0,63	1,38	0,7	0,03	HDG	20323	31,50
P31-INSIDE RISER 45D 100X300 HDG	483027	300	11,81	0,80	1,75	0,7	0,03	HDG	30453	47,20
P31-INSIDE RISER 45D 100X400 HDG	483028	400	15,75	0,96	2,12	0,7	0,03	HDG	40583	62,90
P31-INSIDE RISER 45D 100X500 HDG	483029	500	19,69	1,13	2,49	0,7	0,03	HDG	50713	78,61

3. DIMENSIONS (mm/inch)

■ 3.1 Fitting dimensions

Description	Width		Radius		L1		L2	
	(mm)	(inch)	(mm)	(inch)	(mm)	(inch)	(mm)	(inch)
P31-INSIDE RISER 45D 100X100	102	4,02	100	3,94	172	6,77	238	9,37
P31-INSIDE RISER 45D 100X150	152	5,98	100	3,94	172	6,77	238	9,37
P31-INSIDE RISER 45D 100X200	202	7,95	100	3,94	173	6,81	238	9,37
P31-INSIDE RISER 45D 100X300	302	11,89	100	3,94	173	6,81	238	9,37
P31-INSIDE RISER 45D 100X400	402	15,83	100	3,94	173	6,81	238	9,37
P31-INSIDE RISER 45D 100X500	502	19,76	100	3,94	173	6,81	238	9,37



4. INSTALLATION

■ 4.1 Screw and tools

Use screws M6x12 tightened at 11Nm

Reference(s): 341895 / 03V1M610Z (PG)

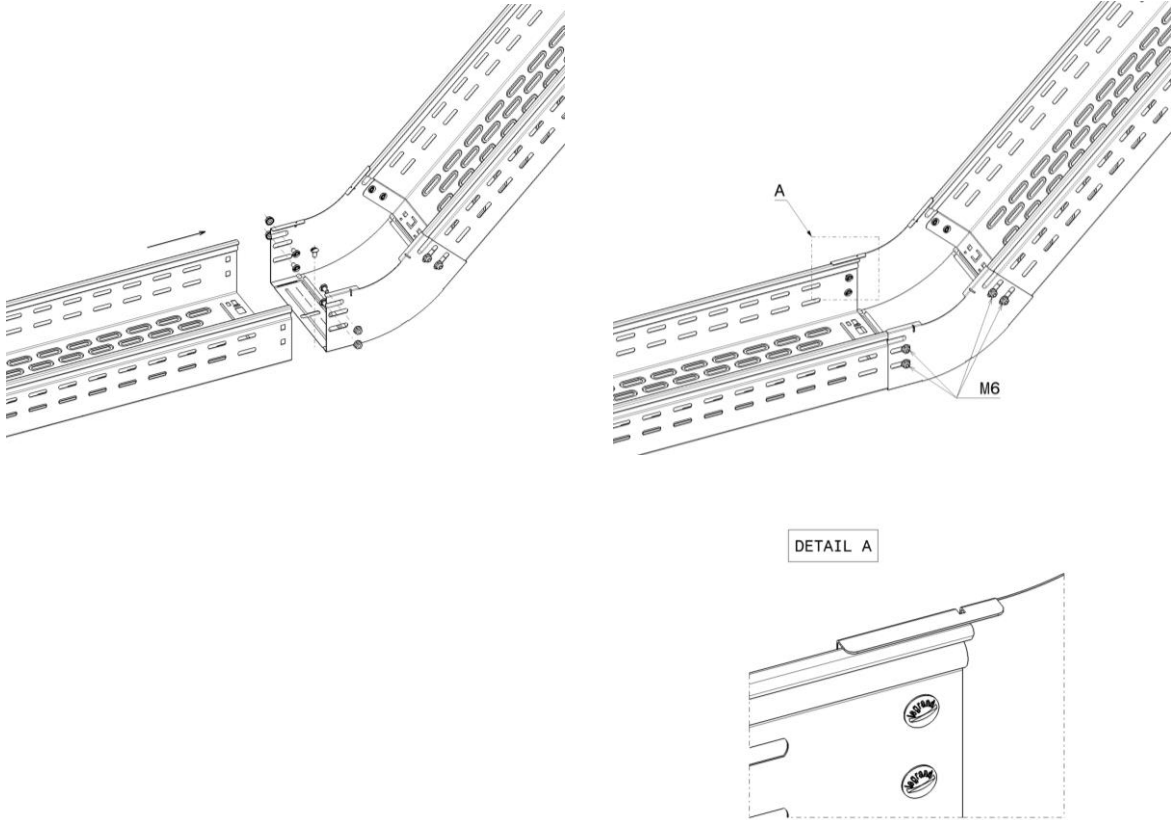
485035 (Zn-Ni)

346895/ 03V1M610L (SS316L)

■ 4.2 Fitting to cable tray

Inside riser height 100 are assembled using 10 screws M6x12 on the side and on the bottom.

The screws in the middle is optional up to and included width 300mm.



5. TECHNICAL DATA

■ 5.1 Climatic characteristics

Storage and operating temperature: - 20° C à + 120° C

■ 5.2 Material characteristics

Material finish	Material	Standard	Resistance class against corrosion
PG	DX51D + Z200	EN 10346	Classe 3 - CEI 61537
BLUE	DX51D + Z200	EN 10346	Classe 3 - CEI 61537
HDG	DC 01	EN 10130	Classe 6 - CEI 61537
SS304	X5CrNi18-10	EN 10 088-2	Classe 9A - CEI 61537
SS316L	X2CrNiMo17-12-2	EN 10 088-2	Classe 9B - CEI 61537

6. CONFORMITY - CERTIFICATION

Comply with CEI 61537 Cable tray systems.

Certification: CE, IMQ