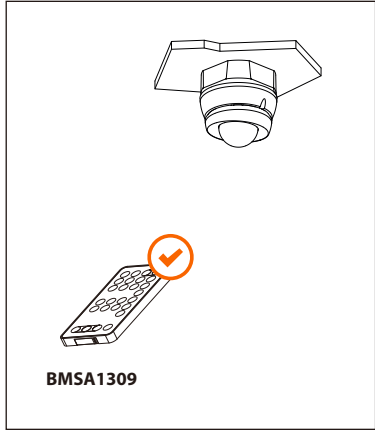


IP 55

IK 04



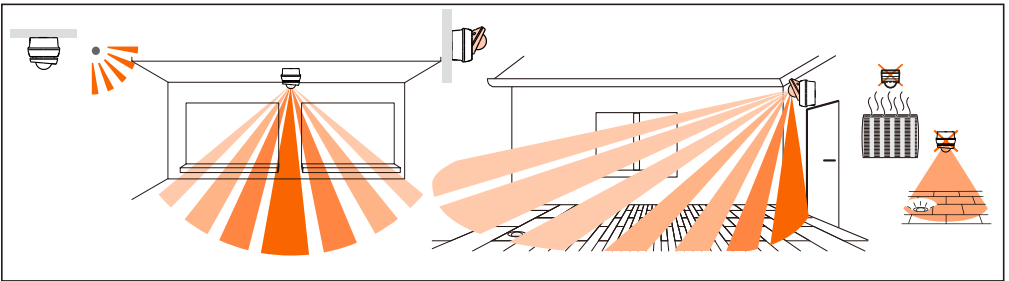
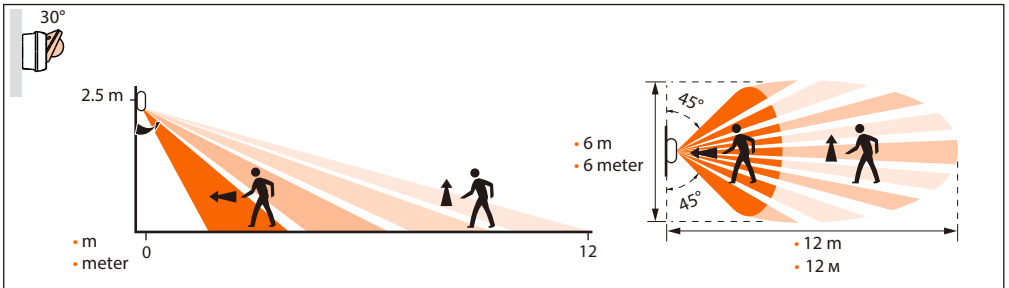
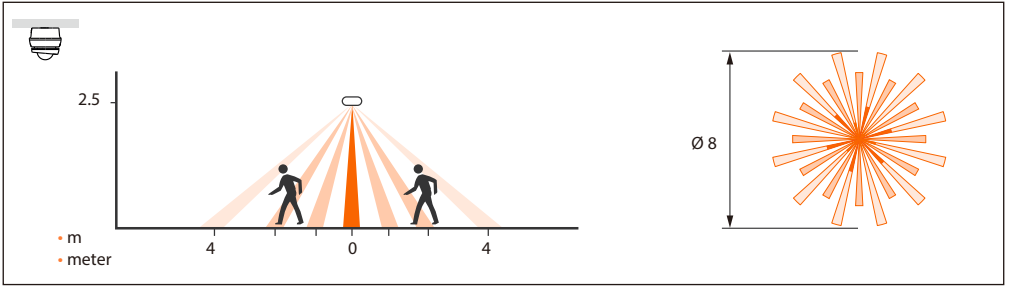
BMSA1309

	<ul style="list-style-type: none"> • 100 - 240V~ • 100 - 240 Volt~
	50 / 60 Hz
	2 x 1.5mm ² 1 x 2.5mm ²
	7 mm

	-5°C / 30°C
	2000 LUX
	10s

	<ul style="list-style-type: none"> • PIR (Passive Infra Red) • IV • IR • PIR (인체감지)
	<ul style="list-style-type: none"> • Ø 8 m • Ø 8 meter
	<ul style="list-style-type: none"> • 12 m • 12 meter

LED													
240 V~	350 VA	3 A	2000 W	8.5 A	1000 VA	4.3 A	10x(2x36 W)	4.3 A	I ≤2A	500 VA	2.1 A	1000 VA	4.3 A
100 V~	175 VA		1000 W		500 VA		5x(2x36 W)			250 VA		500 VA	



30°

30°

☀ lux	
5	300
50	500
150	1 k
200	2 k

Time 🕒	
10"	10'
1'	15'
2'	30'
5'	Pulse

